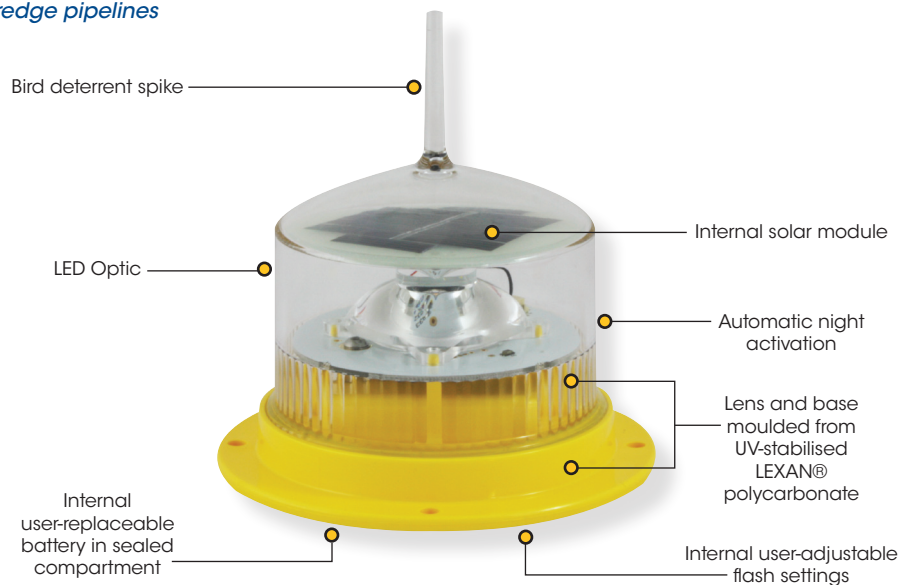


1-2NM+ Solar Marine Lantern

SL-15

The Equipment complies with requirements of the US Coast Guard in 33 CFR part 66 for private aid to navigation and 33 CFR part 88.15 for lights on dredge pipelines



The Sealite Advantage

- User-adjustable flash characters
- User-replaceable battery in sealed battery compartment
- NiMH battery for long service life & wide temperature range
- Completely sealed & self-contained using advanced UV-sealing
- Installs in minutes & operates maintenance-free for up to five years
- IP68 waterproof

The Sealite SL-15 1-2NM+ compact LED light is exceptional value and incorporates some of the most advanced technology available. In the tradition of Sealite lanterns, the SL-15 is designed to be maintenance-free and have a service life of over 5 years.

The SL-15 can be installed in minutes and requires no operator intervention. The SL-15 has a rotary switch to allow users to change the flash character of the light without the need for special tools or programmers.

During daylight hours the solar module will charge the battery, and the lantern will automatically begin operation at dusk – once the ambient light threshold drops sufficiently.

The SL-15 features Sealite's Single LED Optic which boasts exceptional power to light output efficiency. The tough outer polycarbonate lens incorporates an environment-friendly spike – deterring unwelcome bird life.

The internally housed battery is user-replaceable after years of reliable service.

The unit is sealed using advanced UV-sealing, enabling a rugged and completely waterproof seal capable of prolonged and deep immersion (IP68).

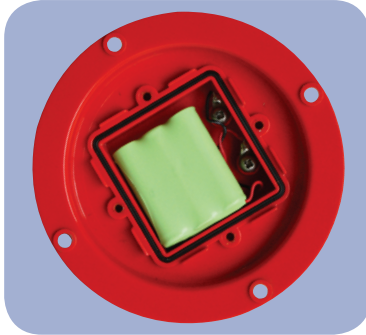
Optional ON/OFF Switch

The SL-15 is also available with an optional ON/OFF switch for temporary installations such as worksites.

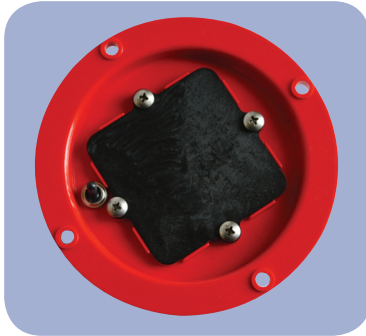


1-2NM+ Solar Marine Lantern

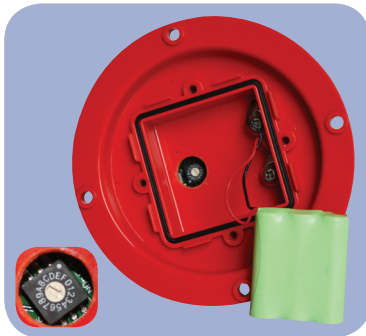
SL-15



User-replaceable battery



SL-15 with optional ON/OFF switch

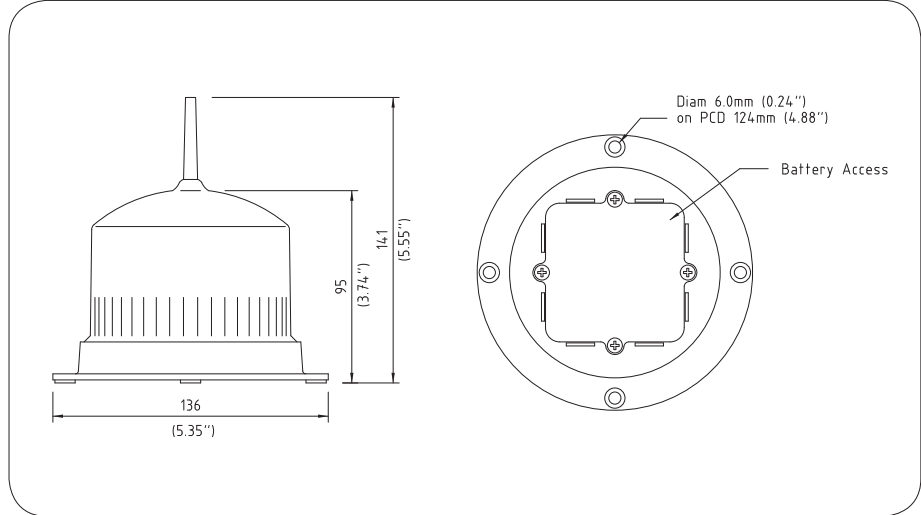


Flash characteristic is selected via internal rotary switch located in the battery compartment

User-Adjustable IALA Flash Characteristics

FLASH SETTING CODE	Flash Sequence (on, off, on...)
0	STEADY LIGHT (intensity reduced)
1	0.5. 1.0
2	0.5. 3.5
3	1.0. 3.0
4	0.5. 5.5
5	0.3. 0.7
6	0.3, 0.7, 0.3, 0.7, 0.3, 0.7, 0.3, 15.7
7	0.3. 1.7
8	0.3. 2.2
9	0.5. 2.0
A	0.3. 2.7
B	0.5. 2.5
C	0.7. 2.3
D	0.5. 4.5
E	1.0. 4.0
F	Custom Setting

Other flash patterns are available on request



SPECIFICATIONS* SL-15

Light Characteristics

Light Source
Available Colours
Typical Maximum Intensity (cd)†
Visible Range (NM)

Horizontal Output (degrees)
Vertical Divergence (degrees)
Reflector Type
Available Flash Characteristics

Intensity Adjustments

LED Life Expectancy (hours)

Electrical Characteristics

Current Draw (mA)
Circuit Protection
Nominal Voltage (V)
Autonomy (days)
Temperature Range

Solar Characteristics

Solar Module Type
Output (watts)

Power Supply

Battery Type
Battery Capacity (Ah)
Nominal Voltage (V)

Physical Characteristics

Body Material
Lens Material
Lens Diameter (mm/inches)
Lens Design
Mounting
Height (mm/inches)
Width (mm/inches)
Mass (kg/lbs)
Product Life Expectancy

Certifications

CE
IALA
Quality Assurance
Waterproof

Intellectual Property

Patents
Trademarks

Warranty*

Options Available

LED

Red, Green, White, Yellow, Blue
Red - 6.2 Green - 7.6 White - 6.8 Yellow - 5.9
AT @ 0.74: 1-2+
AT @ 0.85: 1.1-2.3+

360

7

Single LED Optic

16 user-adjustable IALA flash characteristics (other flash patterns available on request)

32 automatic step-down settings based on power demand of flash code selection
>100,000

Refer to Sealite Power Calculator

Integrated

3.6

>50 (14 hour darkness, 12.5% duty cycle)

-40 to 80°C

Multicrystalline

0.45

High grade NiMH

1.6

3.6

LEXAN® Polycarbonate - UV-stabilised

LEXAN® Polycarbonate - UV-stabilised

98 / 3⁷/₈

Single LED Optic

4 x 6mm mounting holes

141 / 5¹/₂

136 / 5³/₈

0.5 / 1¹/₈

Up to 12 years

EN61000-6-3:1997. EN61000-6-1:1997

Signal colours compliant to IALA E-200-1

ISO9001:2008

IP68

US Pat. No. 6,667,582. AU Pat. No. 778,918

SEALITE® is a registered trademark of Sealite Pty Ltd

3 years

- ON/OFF switch
- Custom flash patterns
- 50mm pole mount adapter plate



* Specifications subject to change or variation without notice
* Subject to standard terms and conditions
† Intensity setting subject to solar availability